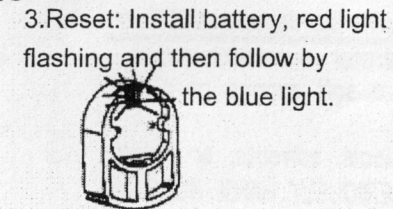
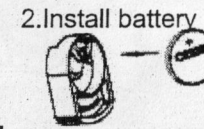
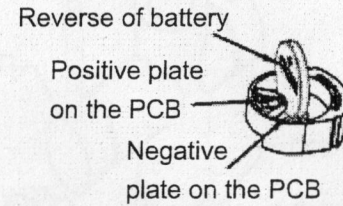
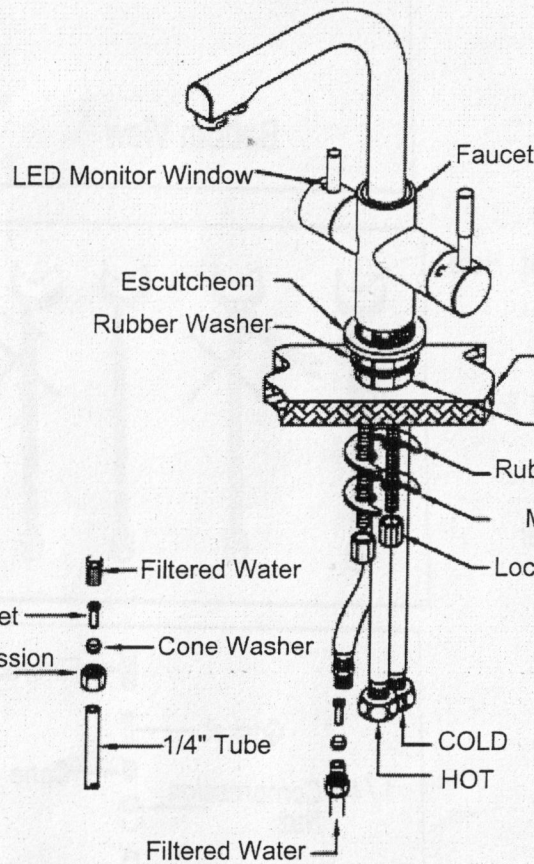
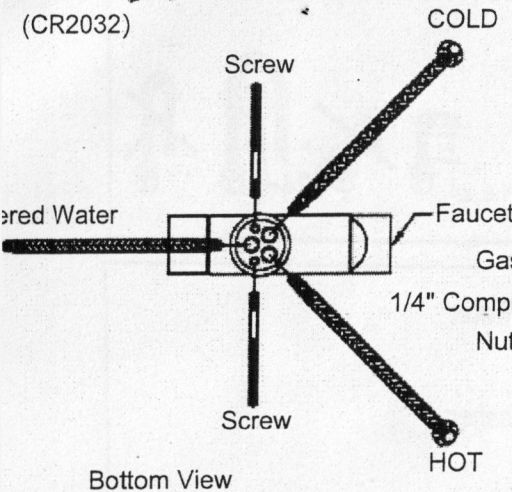
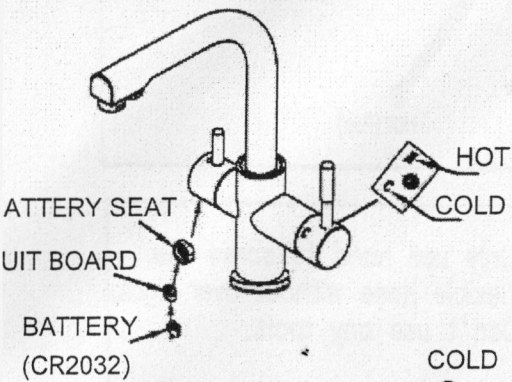


# Kitchen & Drinking Faucet Installation Guide

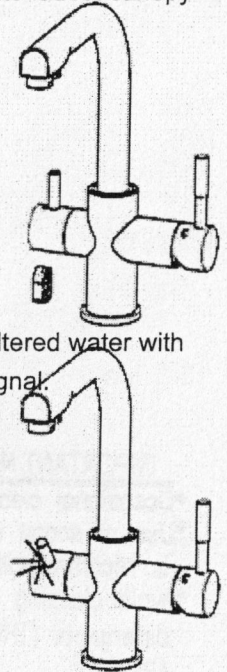
## BATTERY INSTALLATION STEPS:

1. Touch positive and negative plates by the reverse of the battery before installing the battery to cut off the power supply. (Please refer to attached drawing)

4. Install into faucet canopy



5. Open filtered water with blue signal.



## LED FUNCTION:

1. The blue light flashes during normal operation. If the operation time exceed 2000 minutes. the red light flashes. Please change the filter and battery at the same time.
2. After you reset (replace battery) the timer over 6 months, the red light will also be flashed even with the short of 2000 minutes using time. Please change the filter and battery at the same time.

